

DGS SERIES

SIGNALING AND DUTY CYCLE

24 HOUR OR 7 DAY

TIME SWITCH



**31 DAY CYCLE TIME:
AN INDUSTRY FIRST!**

APPLICATIONS



- Signaling
- Duty cycle

FEATURES

DG180A & DG280A: 56 ON & OFF set points provide individual daily programs. Minimum setting is 1 minute.

DGS100A: 56 ON & OFF set points provide individual programs for each day of the week. Minimum setting is 1 minute.

DUTY CYCLE: Two different ON/OFF patterns or signal durations may be programmed. The durations can be up to 23 hours, 59 minutes and 59 seconds in length.

SKIP FUNCTION (24 HOUR UNITS ONLY): Each channel can be set for ACTIVE/SKIP operations that alternate from 1 - 31 days. This becomes an effective way to cycle loads on varying days within the month. Using the two-circuit DG280A, two loads can be set to operate on alternate days in a simple manner.

DAYLIGHT SAVING: Automatic adjustment (can be omitted).

LEAP YEAR: Automatic Compensation.

MANUAL OVERRIDE: Until the next regularly scheduled ON or OFF, automatic operation then resumes.

CLOCK FORMAT: AM/PM or 24 hour.

POWER OUTAGE BACKUP: Permanent schedule retention. Supercapacitor provides 7 days of real time backup.

ORDERING INFO

CATALOG NO.	UPC CODE	INPUT SUPPLY (VAC) 50/60 Hz	NO. OF CHANNELS	OUTPUT CONTACTS
24 HOUR MODELS				
DG180A	82206	120-277VAC	1	DPDT
DG280A	82207	120-277VAC	2	SPDT
DG280A-24	82220	24VAC	2	SPDT
7 DAY MODELS				
DGS100A	82205	120-277VAC	1	DPDT
DGS100A-12	82218	12VDC	1	DPDT
DGS100A-24	82219	24VAC	1	DPDT



SPECIFICATIONS

TIMING ACCURACY: Line frequency.

INPUT VOLTAGE:

120 - 277 VAC, 50/60 Hz (auto detection).

TERMINAL RANGE: #12 - #18AWG.

OPERATING TEMPERATURE:

-31°F to +131°F (-35°C to + 55°C).

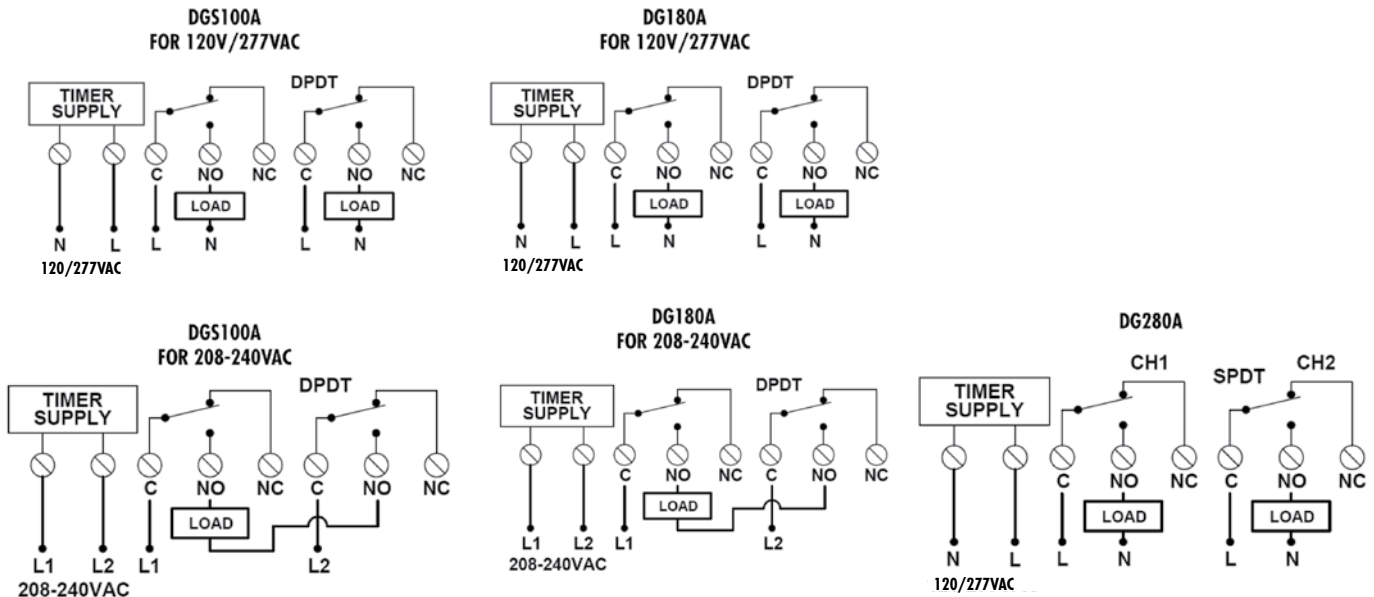
POWER CONSUMPTION: 6VA Maximum.

ENCLOSURE: Noryl® Indoor/Outdoor NEMA 3R with lockable hasp (see page 153 for enclosure dimensions).

CONTACT RATINGS

TYPE	VOLTAGE	RATING	
		NO	NC
Resistive	24-277VAC	20A	10A
Ballast	120VAC 277VAC	20A	10A
Tungsten	120 VAC	15 A	
Pilot Duty	120 VAC 240VAC	720VA	290VA 360VA
Motor	120VAC 240VAC	1HP 2HP	1/4HP 1/2HP
Resistive	28VDC	20A	10A

WIRING DIAGRAMS



SPECIFICATION WRITER'S GUIDE

DG5100A SERIES — 1. Furnish and install, where noted, a 1 channel 7 day programmable digital time switch. (Alt 1 DG180 Series 1. Furnish and install, where noted, a 1 (2) channel 24 hour programmable digital time switch. 2. Controller shall program in AM/PM (12 hour) or Military (24 hour) formats. 3. Unit shall be capable of switching 20 amps ballast load at 277VAC. 4. Controller shall be capable of 56 set points; separate scheduling for each day of the week with one minute resolution. 5. unit shall be capable of two duty cycle or signal durations from 1 second to 23 hours, 59 minutes and 59 seconds. 6. Controller shall be able to select USA Standard Daylight Saving, Standard time or programmable dates. 7. Controller shall have automatic Leap Year correction. 8. Controller shall have Permanent Schedule Retention. 9. Controller shall have 7 days backup for real time with built in super capacitor; no batteries to maintain. 10. Controller shall be capable of Manual Override ON and OFF to the next scheduled event using 1 button for each channel. 11. Unit shall have NEMA type 3R indoor/outdoor enclosure as standard. 12. To order specify TORK Model DG5100A (Alt 12. Controller shall have a 31 day cycle to alternate days that programs are active or to be omitted. 13. To order specify TORK Model DG180A [DG280A]).